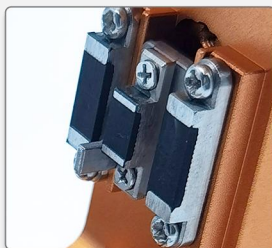
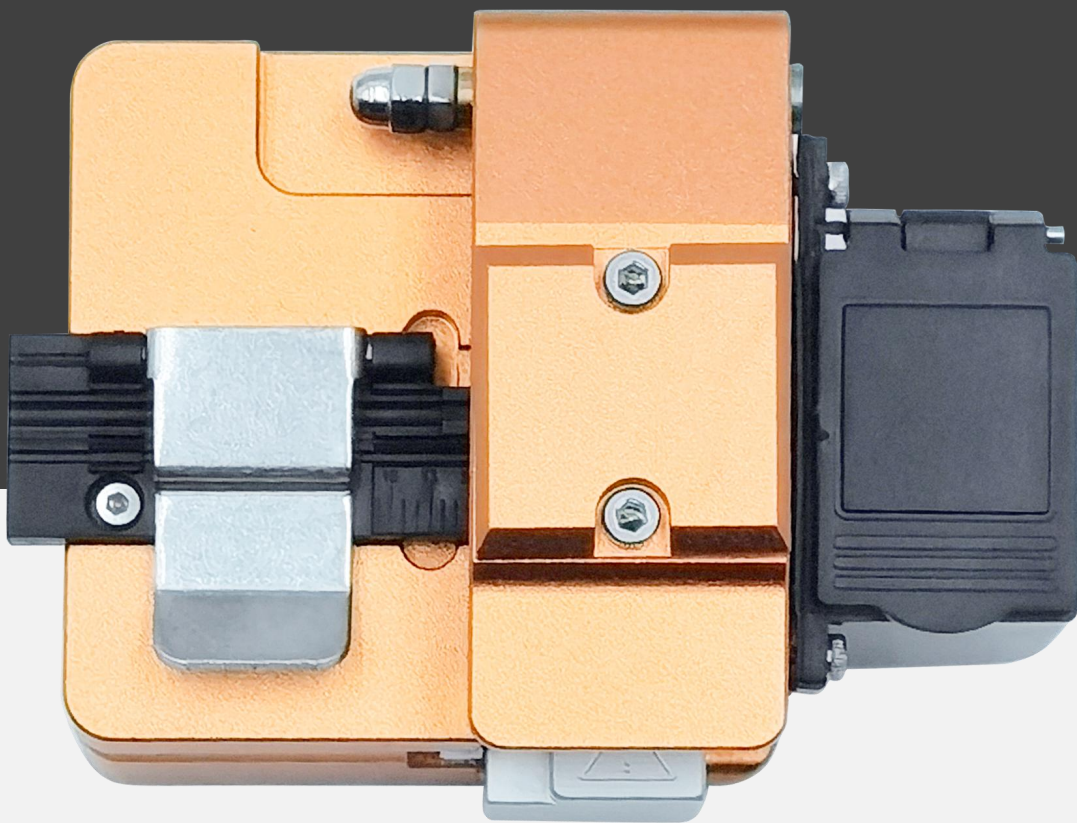


Signal fire S09

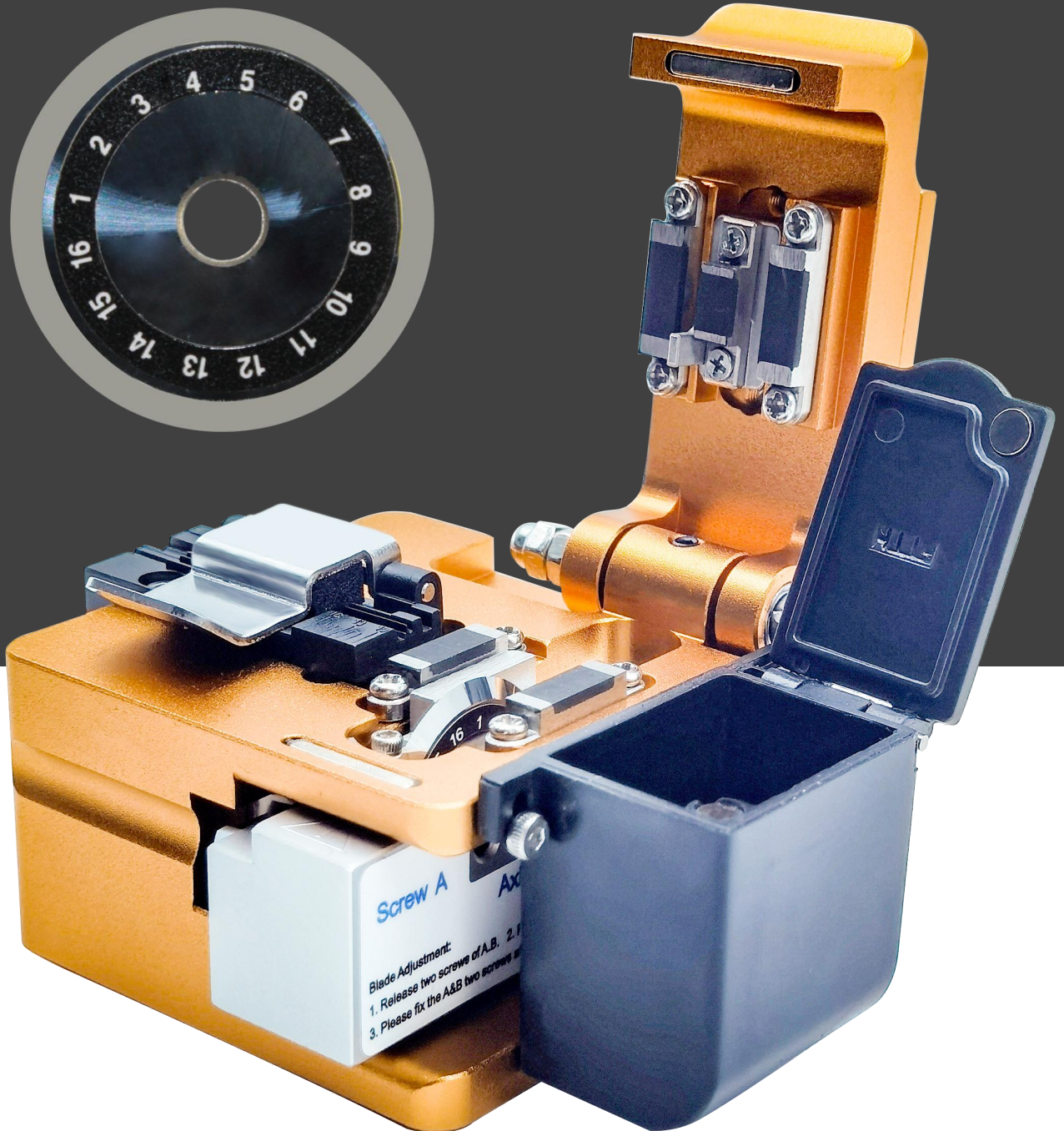
FIBER CLEAVER

Stable Operation With Multi-Action Process

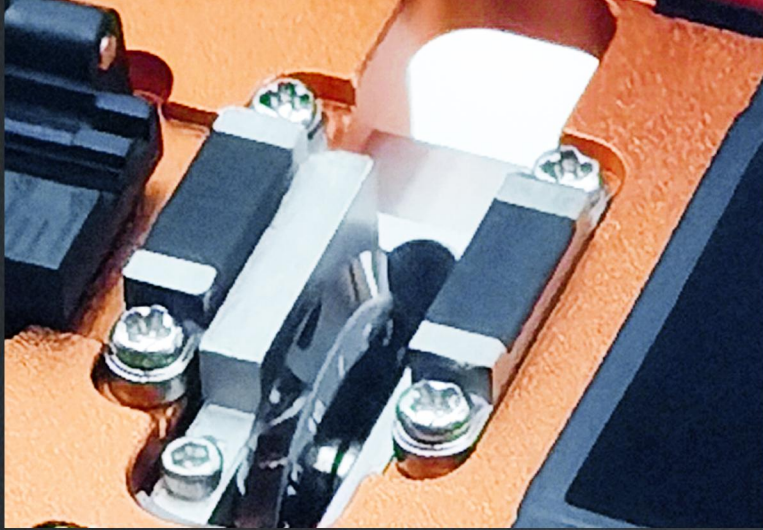
Automatic blade back



A TOTAL OF 16 BLADES EACH FACE 3000 TIMES



The total service life reaches more than 48000 times, and the average cutting Angle is less than 0.5 degrees



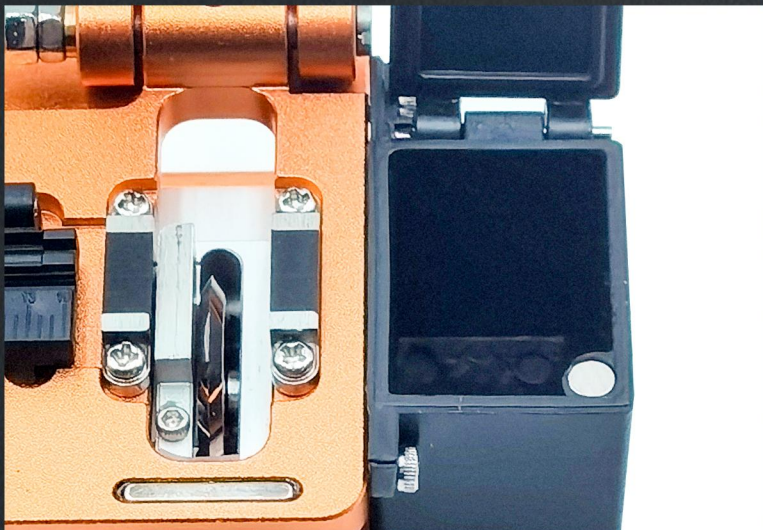
Anti-slip Rubber Pad



Hexagonal Wrench



Fiber Scrap Collector

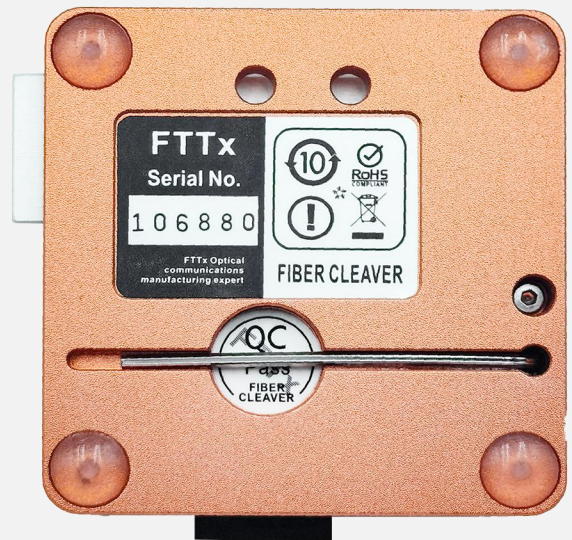
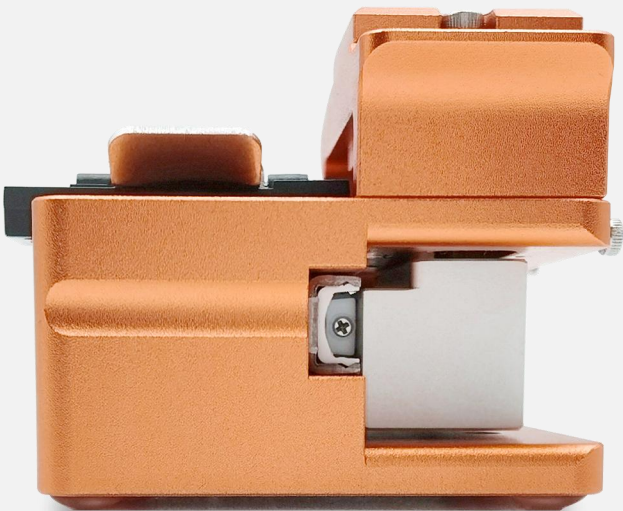


Packet



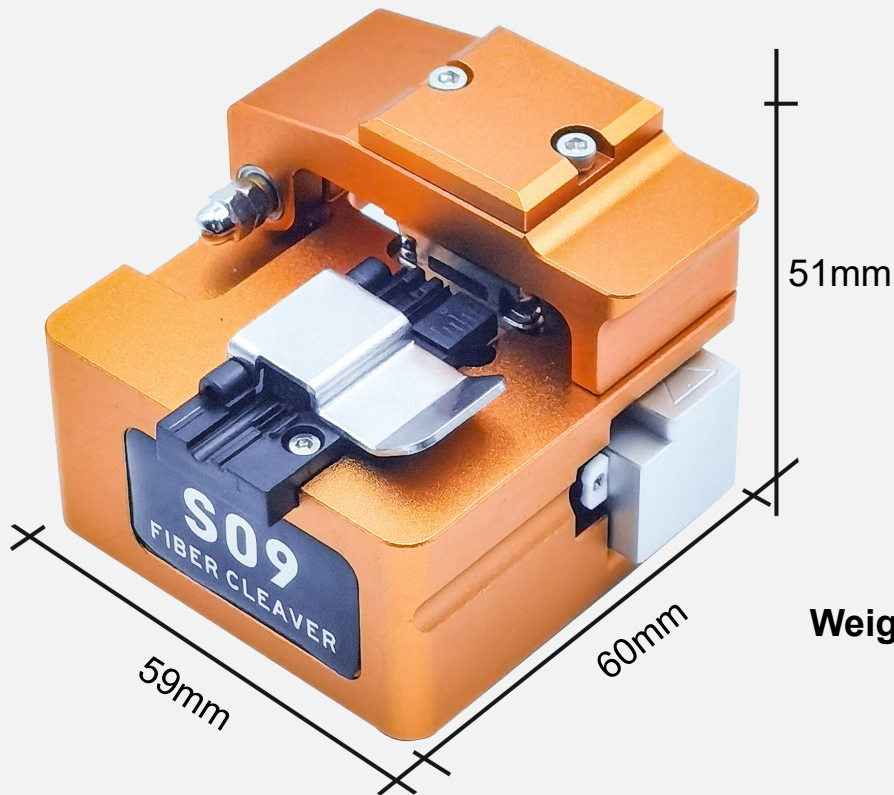
Magnesium alloy material

High strength, small volume, light weight



The appearance is fashionable and beautiful, the bottom anti - slip foot, ensure the cutting work is safe and stable

Technical Parameter



Weight: about 0.65 pounds

cladding diameter	80-150um
cutting length	single core fiber:8-20mm
Applied optical fiber cable	single core fiber:250um,900um,3.0um,Indoor cable/Banded fiber:2-12 core ribbon cable
the average cutting Angle	< 0.5°
Average cutting angle	cutting 1000 times then adjust height of number correspond blade end face (each number can adjust 3 times); there are 16 number. total 48000 times
Operation steps	The 2 step
Reposition function	Auto blade back
Optical fiber clamp	Single core fiber:Universal fiber clamp/Nake optical fiber、 fiber jumper、 Optical fiber drop cable